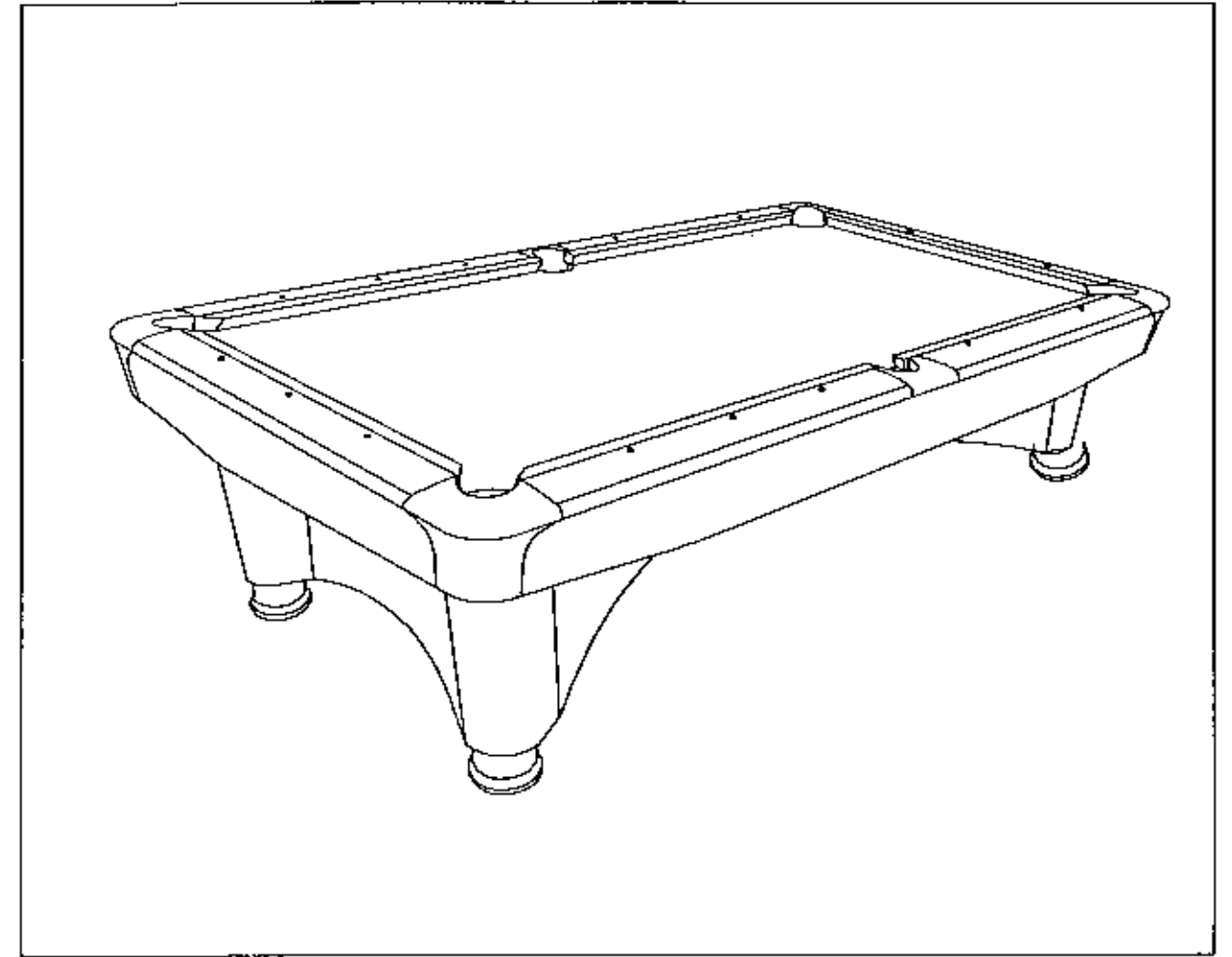



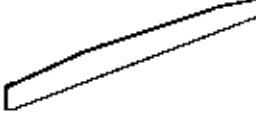

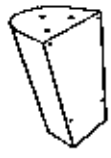
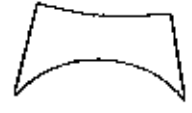


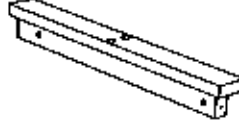





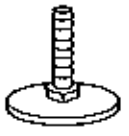
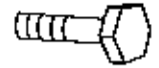



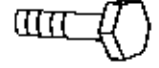
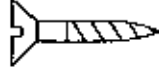
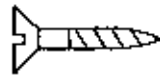
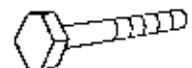


pool table assemble manual



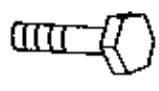



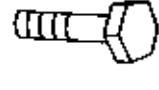
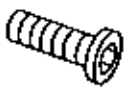



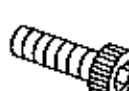






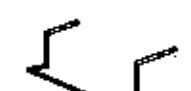



ITEM NO:55100.085
55100.081
55100.095
55100.091
55100.096

PART LIST

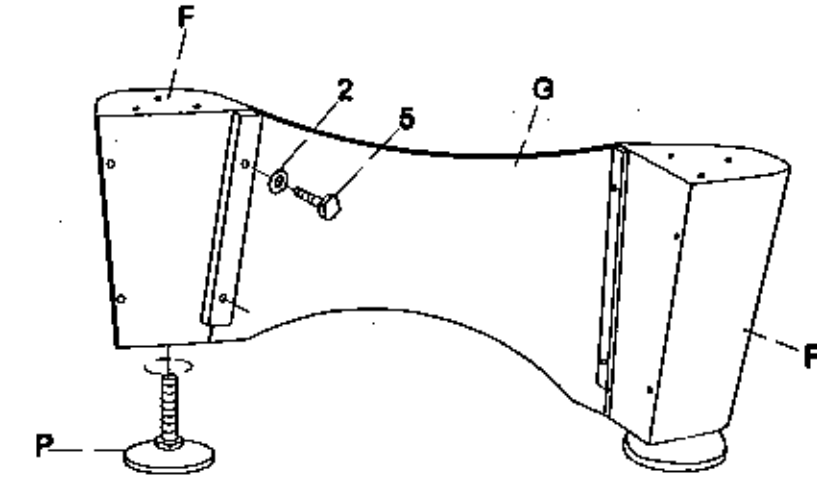
| | | | |
|--|--|---|---|
| <p>A</p>  <p>End Rail 2 pieces</p> | <p>B</p>  <p>Side Rail (A) 2 pieces</p> | <p>C</p>  <p>Side Rail (B) 2 pieces</p> | <p>D</p>  <p>Side Apron 2 pieces</p> |
| <p>E</p>  <p>End Apron 2 pieces</p> | <p>F</p>  <p>Leg 4 pieces</p> | <p>G</p>  <p>Leg End Panel 2 pieces</p> | <p>H</p>  <p>Stretchers For Leg 2 pieces</p> |
| <p>I</p>  <p>Main Beam 2 pieces</p> | <p>J</p>  <p>Mid Cross Beam 2 pieces</p> | <p>K</p>  <p>End Cross Beam 2 pieces</p> | <p>L</p>  <p>Slate 1 set</p> |
| <p>M</p>  <p>Cloth 1 piece</p> | <p>N</p>  <p>Basket A 4 pieces</p> | <p>O</p>  <p>Basket B 2 pieces</p> | <p>P</p>  <p>Leg Leveler 4 pieces</p> |
| <p>#1</p>  <p>8x25mm Bolt 4 pieces</p> | <p>#2</p>  <p>8x19mm Washer 42 pieces</p> | <p>#3</p>  <p>8mm Nut 4 pieces</p> | <p>#4</p>  <p>Small Angle Steel 4 pieces</p> |
| <p>#5</p>  <p>8x44mm Bolt 16 pieces</p> | <p>#6</p>  <p>6x63mm Bolt 12 pieces</p> | <p>#7</p>  <p>F4x19mm Screw 4 pieces</p> | <p>#8</p>  <p>10x102mm Bolt 16 pieces</p> |

PART LIST(Cont'd)

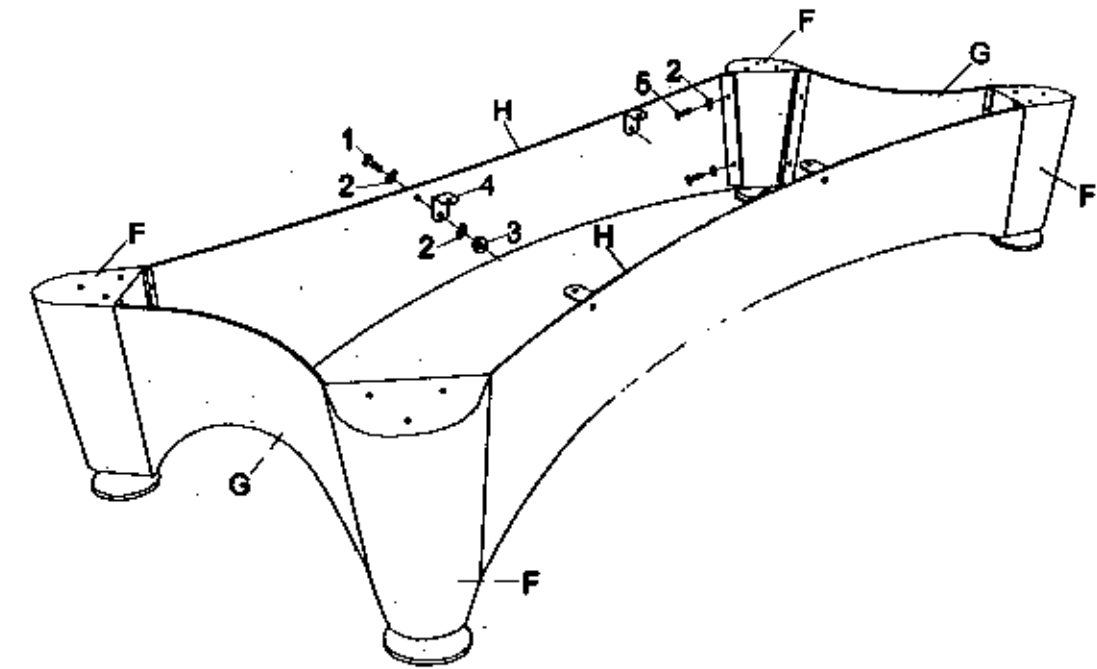
| | | | |
|---|---|--|---|
| #9  10x23mm Washer 60 pieces | #10  10mm Nut 16 pieces | #11  10x63mm Bolt 16 pieces | #12  10mm Nut 16 pieces |
| #13  Slate Leveler 18 pieces | #14  10x25mm Bolt 12 pieces | #15  10x51mm Bolt 18 pieces | #16  6x8mm Bolt 16 pieces |
| #17  8x45mm Bolt 18 pieces | #18  T4x19mm Screw 8 pieces | #19  10x35mm Washer 18 pieces | #20  5x15mm Bolt 12 pieces |
| #21  Leg Angle Steel 4 pieces | #22  Apron Corner 4 pieces | #23  Side Rail Corner 2 pieces | #24  End Rail Corner 4 pieces |
| #25  10x35mm Washer 12 pieces | #26  10x32mm Bolt 12 pieces | #27  Triangle Support 1 piece | #28  Cue Support 1 piece |

Assembly Instructions

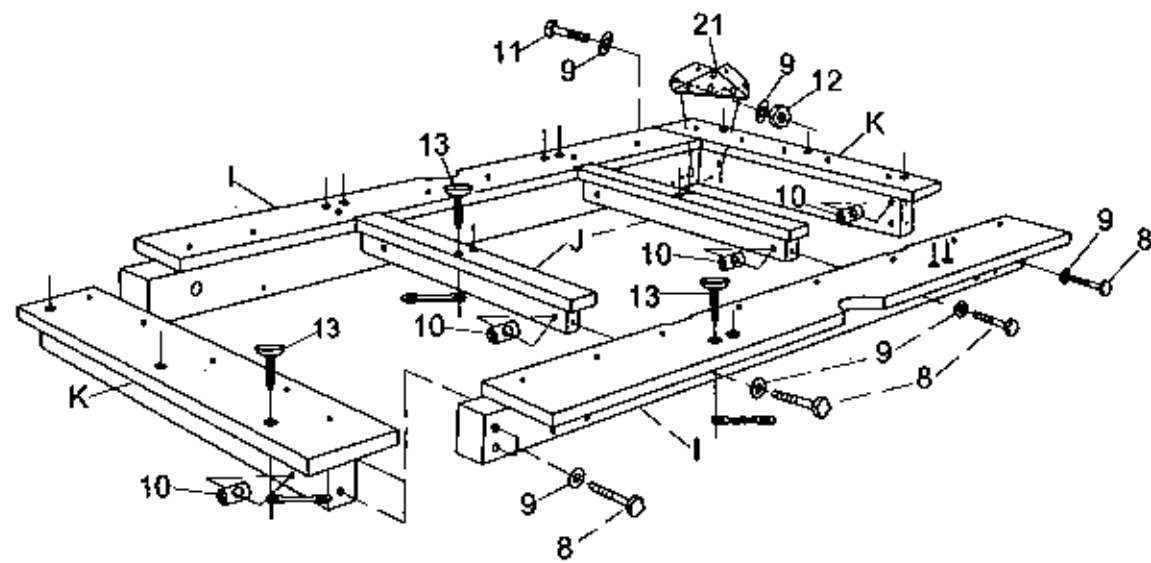
Step 1:



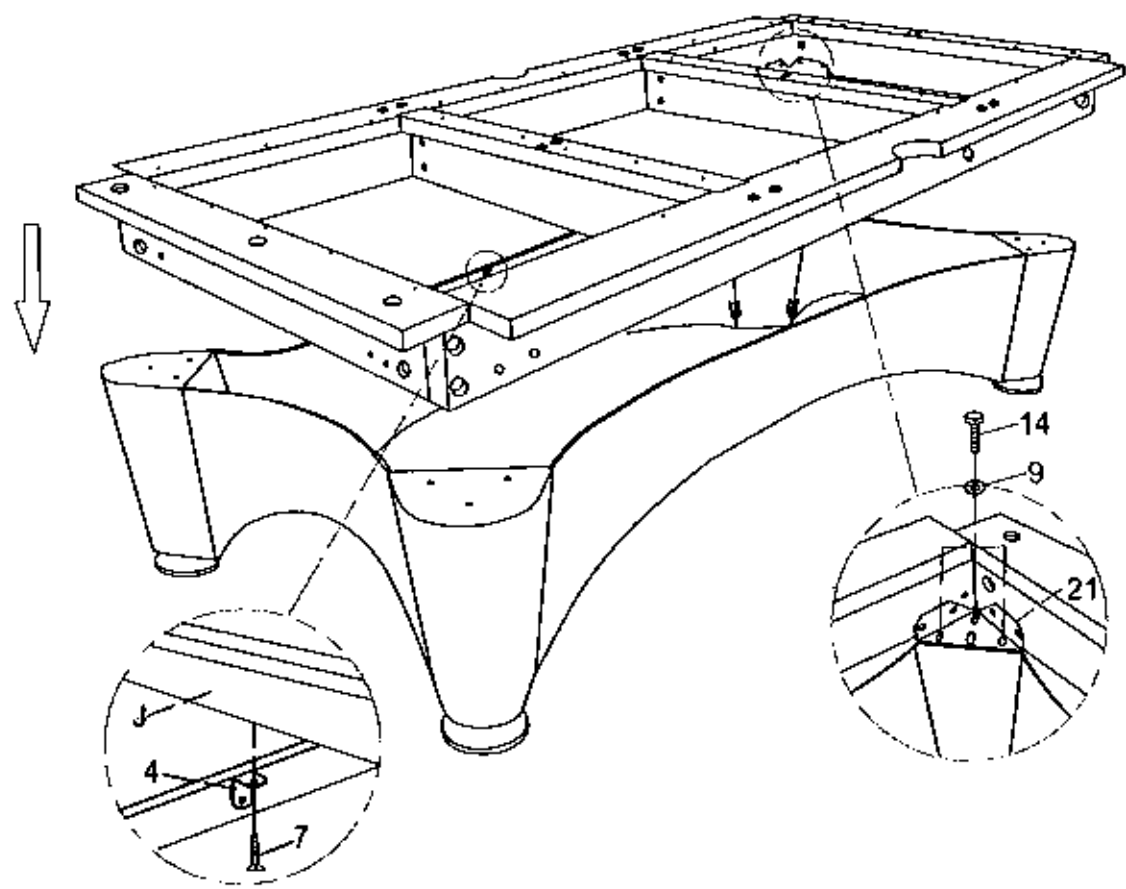
Step 2:



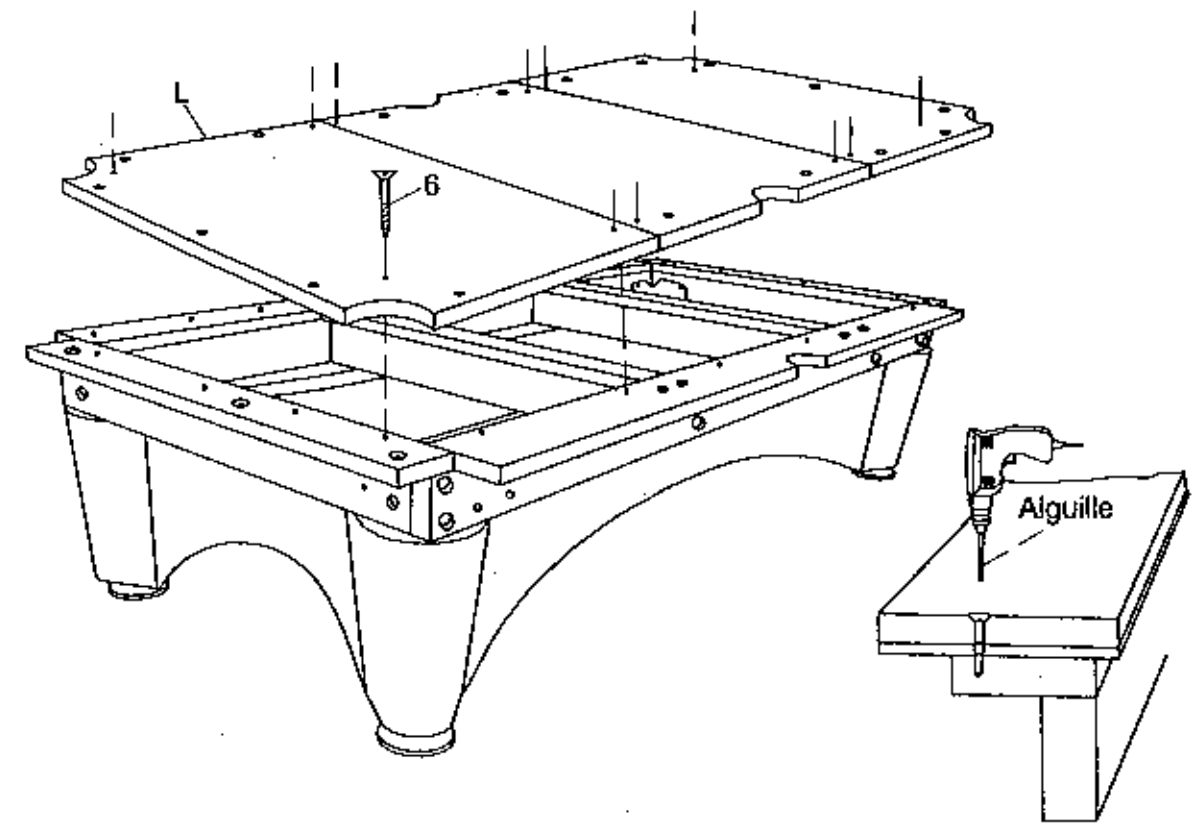
Step 3:



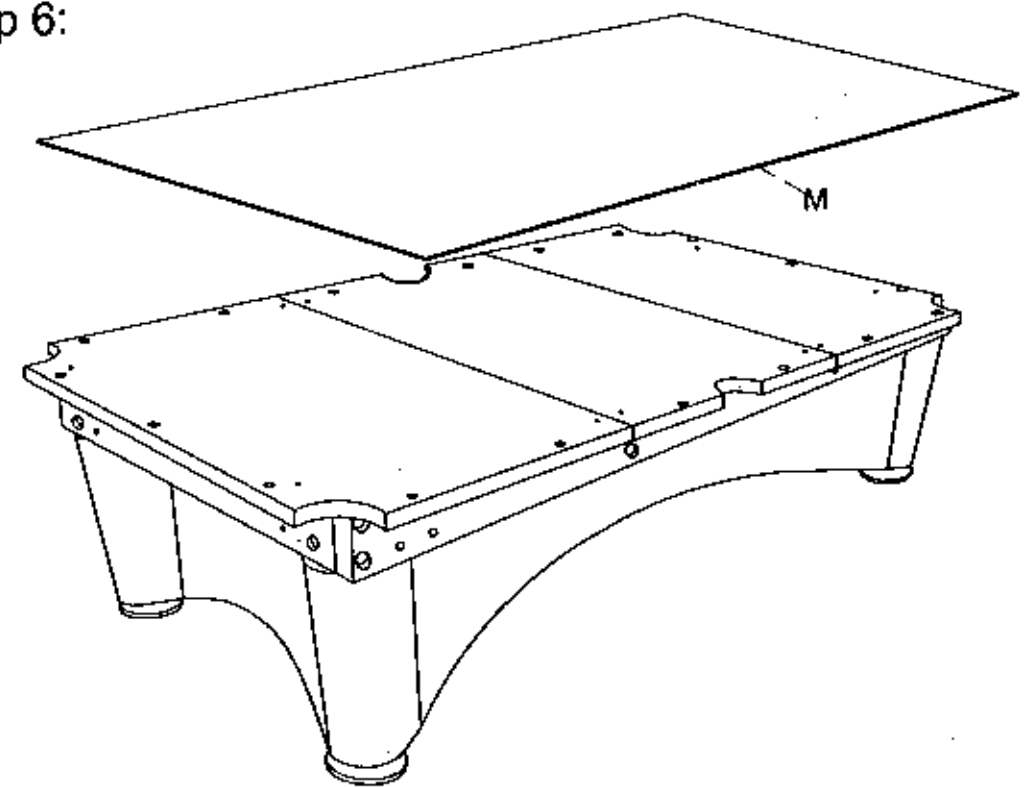
Step 4:



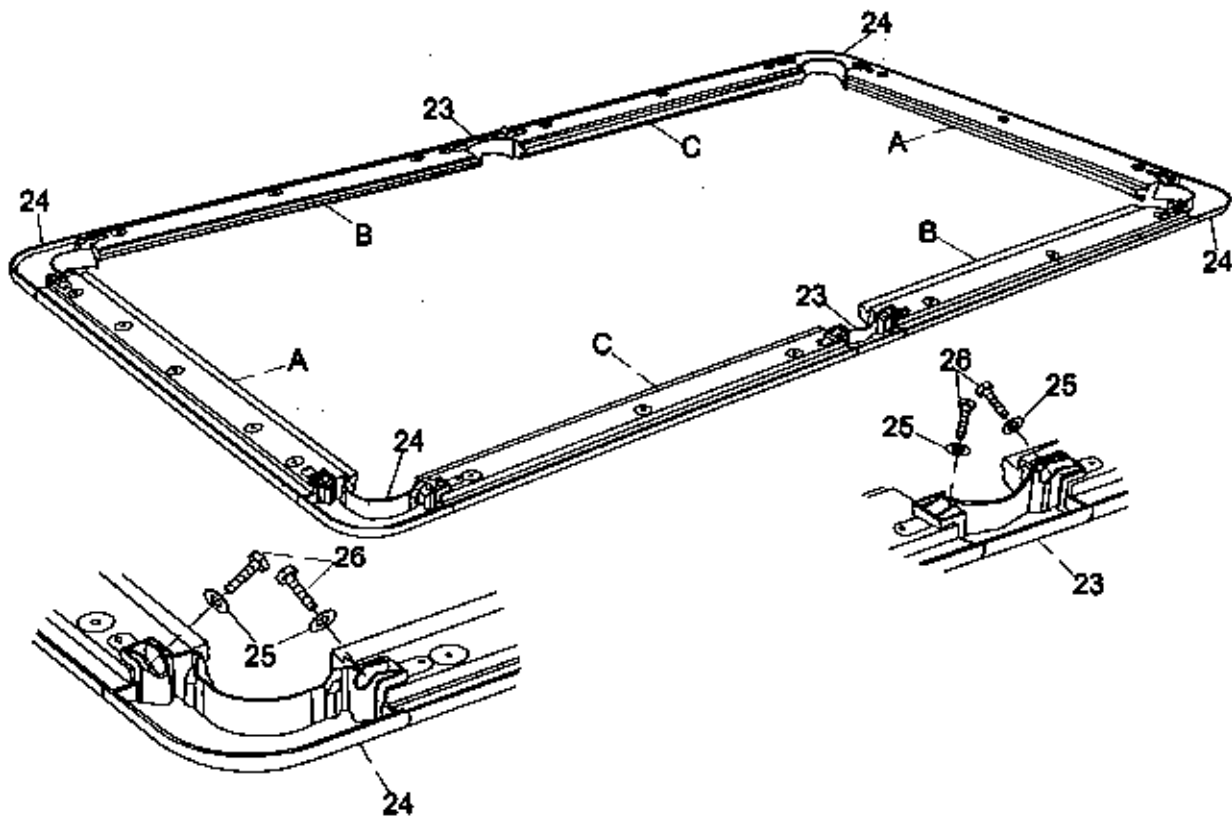
Step 5:



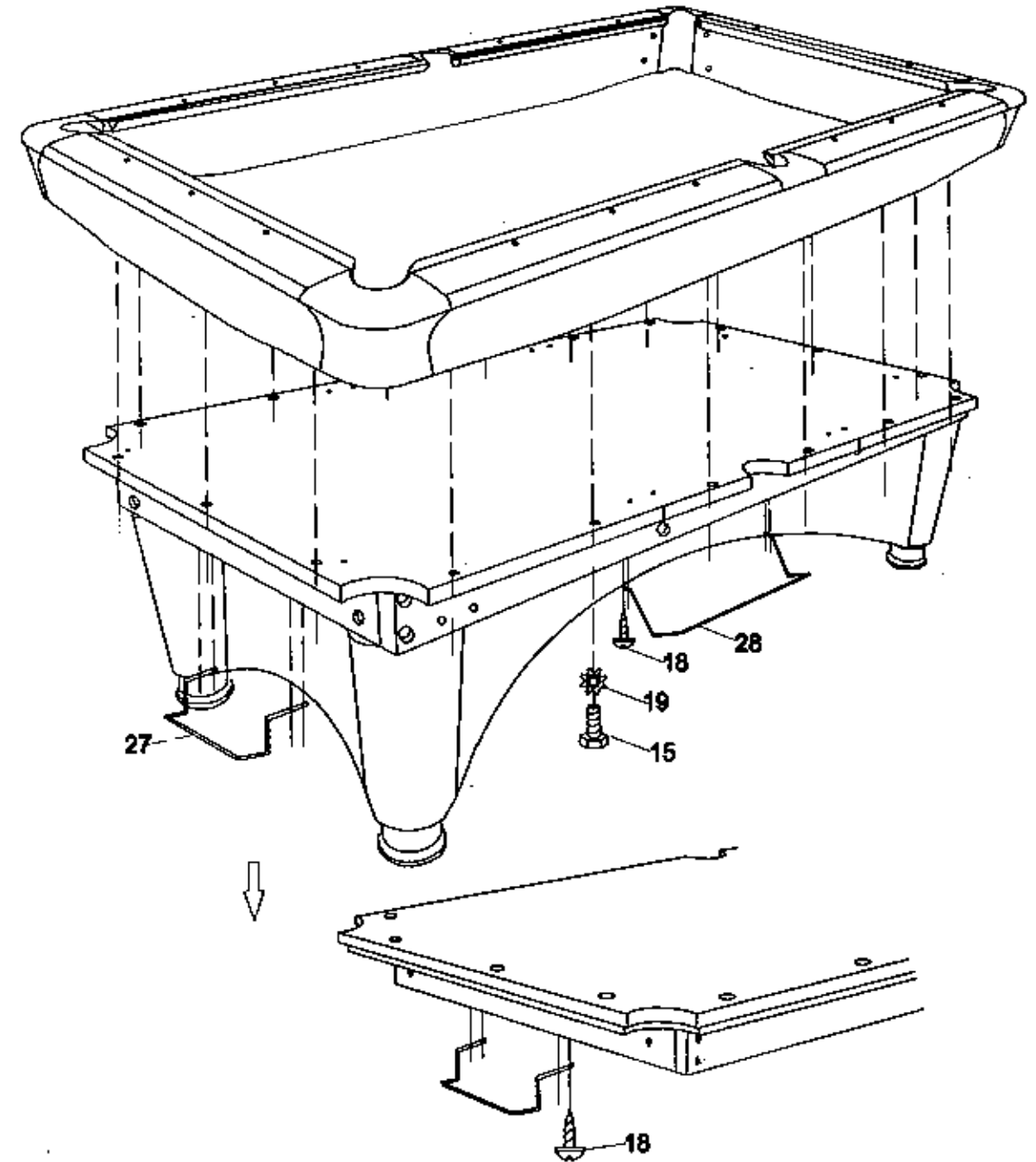
Step 6:



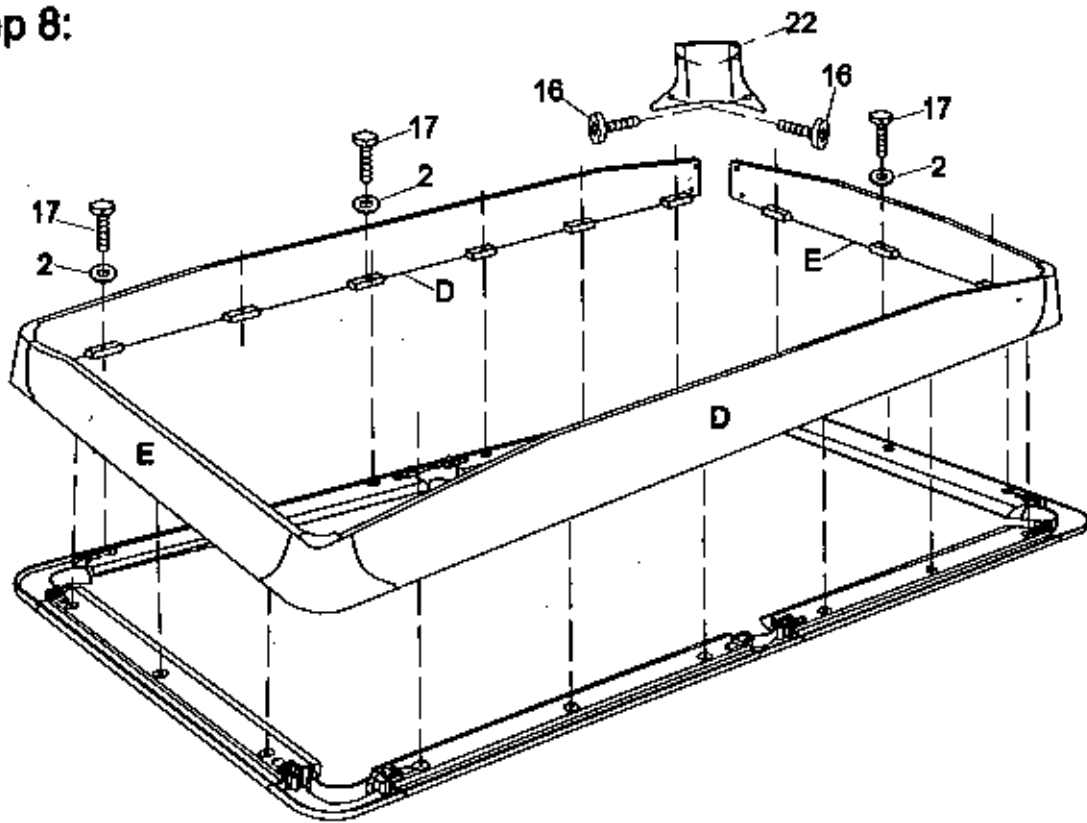
Step 7:



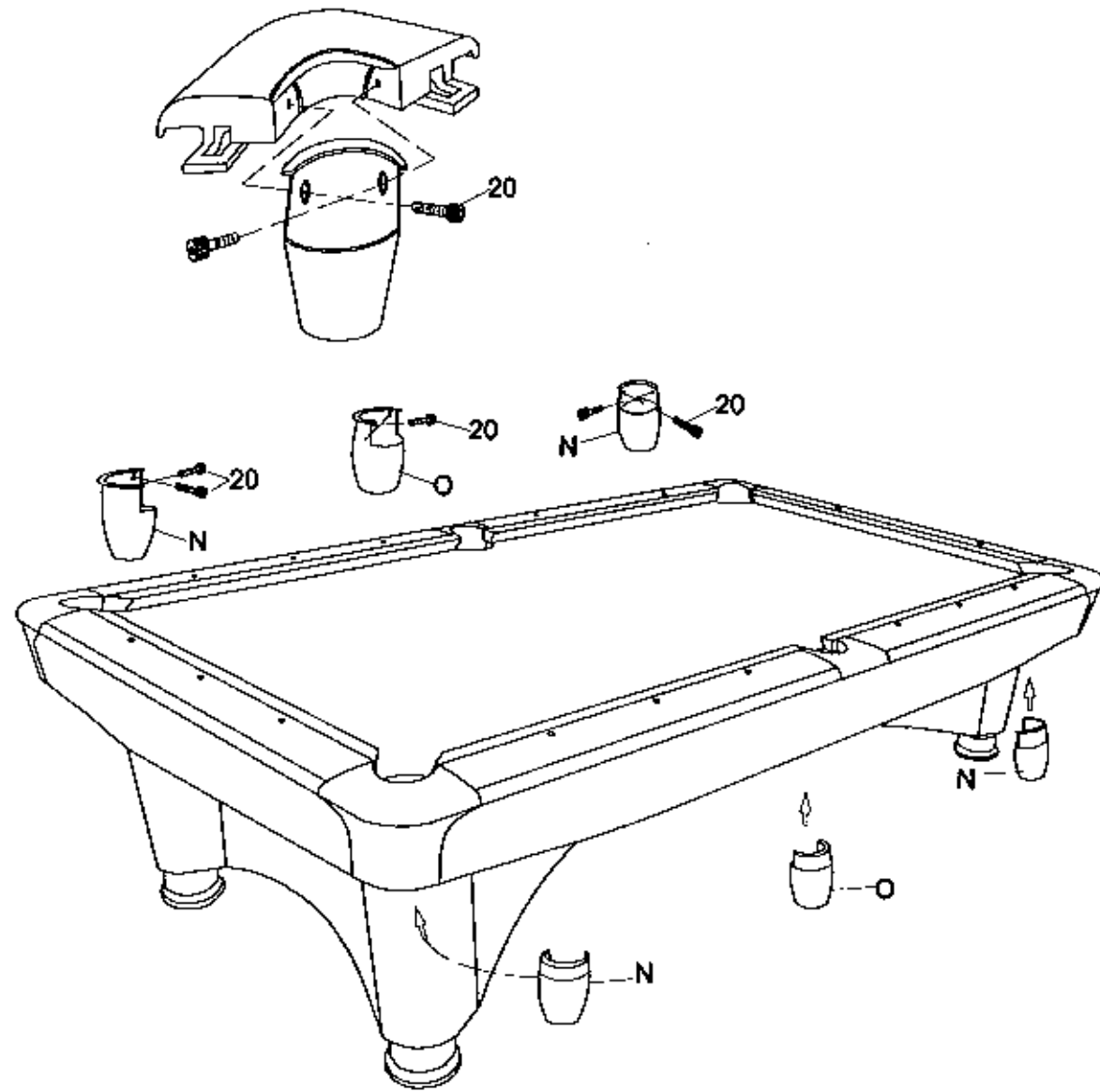
Step 9:



Step 8:



Step 10:



-END-